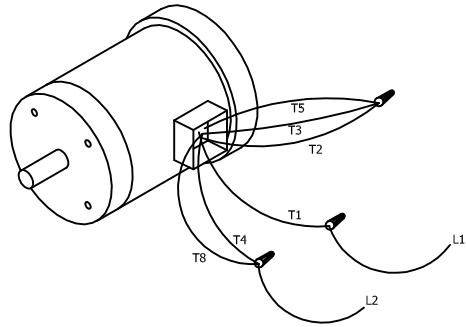
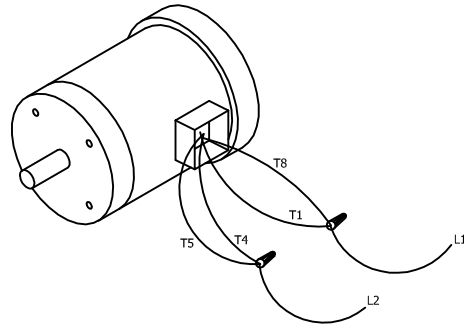


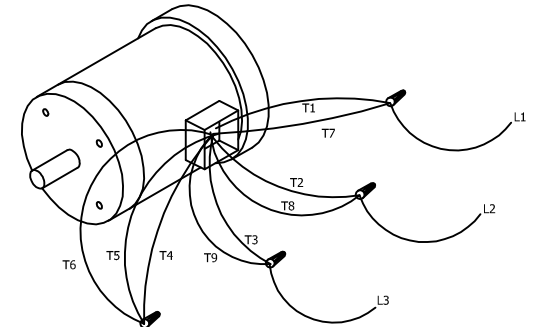
1/3 - 3 Hp  
230V Single Phase



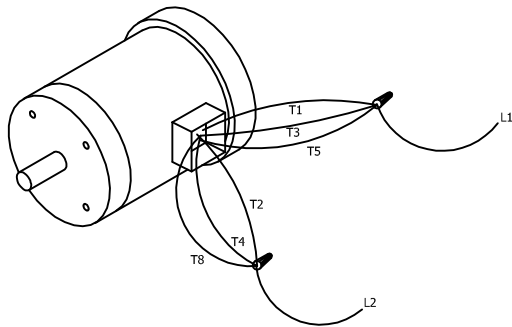
5 Hp  
230V Single Phase



1/2 - 5 Hp  
208 - 230V Three Phase

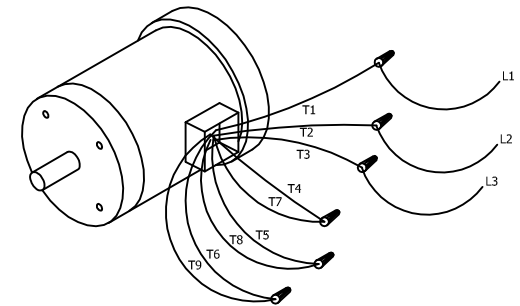


115V Single Phase



To reverse the motor  
Swap T5 and T8

460V Three Phase



To reverse the motor  
Swap L1 and L2

To reverse the motor  
Swap T5 and T8